

CFL-MUX128A 10bit Digital Multiplexer Link

8~128ch Video, 4~80ch Bi-Directional Data(RS-232,RS-422,RS-485), 128ch Audio

8-128 **V**

8-64 **V**

8-128 **A**

8-64 **A**

8-128 **D**

4-72 **D**



In Various Combinations Based on the Cards

- High quality video, audio, data transport a single fiber
- Compatible with NTSC, PAL, SECAM video signals
- 10bit digital sampling, uncompressed
- Supports point-to-point or add-drop multipoint applications
- Automatic line protection by circuit switching
- Removable line card type power supply
- Redundancy power supply & hot swapping
- 110/220V AC auto selectable
- Rack mountable 19inch 3U chassis
- 12 slots for line card type fiber optic link
- NMS using serial or Ethernet-based communications
- Supporting SNMP-v2, MIB-II based management

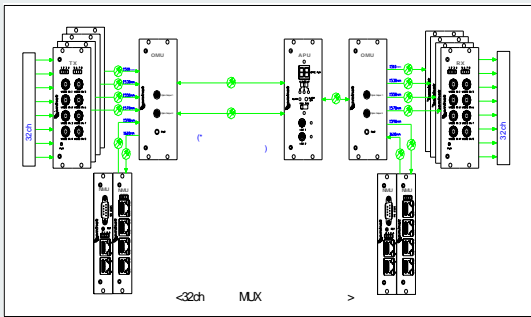


CFL-MUX128A	10bit	8ch			
가	1Core	CWDM(Coarse Wave Division Multiplexing)			
		128			
CFL-MUX128A	16 Slot	3RU Chassis			
가	Point-to-Point	, Add-Drop	Linear		
	NMS		NMS		
CFL-MUX128A		가	Point-to-Point	Single mode	
8~64ch	128ch		60Km	가	
	70Km				
1					
가	CFL-MUX128A				
				10m/sec	
				가	
		, NMS	GUI		
		3RU Chassis	16		
1		, Backup		1	가

Cominet Fiber Optic Link

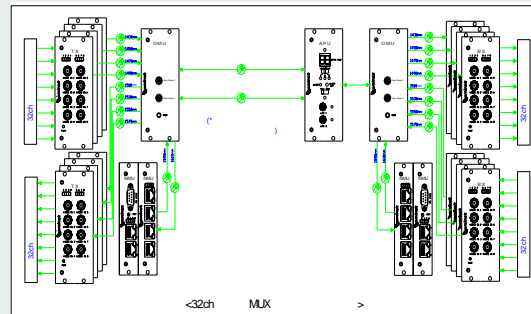
Hot-swapping
가
12
Ethernet
SNMP
232
GUI
NMS
TCP/IP, Telnet, RS-

[1] 32ch



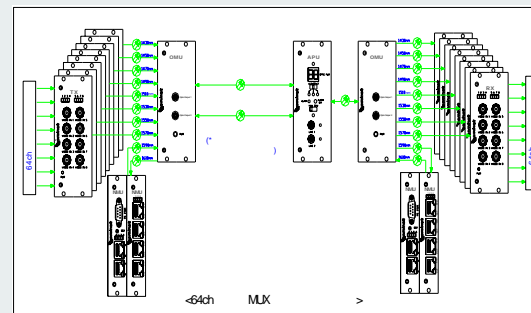
<	>		
-CFL-N319122	19" Rack Mount Chassis	1	
-CFL-OMU-L3	CWDM Optical Mux/Demux Unit	1	
-CFL-NMU-EC*	External Communication NMS Unit	1	
-CFL-NMU-IC*	Internal Communication NMS Unit	1	
-CFL-8VLTU	8ch Digital Video Transmitter Unit	4	
-CFL-PSU	110/220VAC,200W Power Supply Unit	1	
<	>		
-CFL-N319122	19" Rack Mount Chassis	1	
-CFL-OMU-R1	CWDM Optical Mux/Demux Unit	1	
-CFL-NMU-EC*	External Communication NMS Unit	1	
-CFL-NMU-IC*	Internal Communication NMS Unit	1	
-CFL-APU*	Automatic Line Protector Unit	1	
-CFL-8VLRU	8ch Digital Video Receiver Unit	4	
-CFL-PSU	110/220VAC,200W Power Supply Unit	1	
) *	Option		

[2] 32ch



<	>		
-CFL-N319122	19" Rack Mount Chassis	2	
-CFL-OMU-R1	CWDM Optical Mux/Demux Unit	1	
-CFL-NMU-EC*	External Communication NMS Unit	1	
-CFL-NMU-IC*	Internal Communication NMS Unit	2	
-CFL-8VLTU	8ch Digital Video Transmitter Unit	4	
-CFL-8VLRU	8ch Digital Video Receiver Unit	4	
-CFL-PSU	110/220VAC,200W Power Supply Unit	2	
<	>		
-CFL-N319122	19" Rack Mount Chassis	2	
-CFL-OMU-R1	CWDM Optical Mux/Demux Unit	1	
-CFL-NMU-EC*	External Communication NMS Unit	1	
-CFL-NMU-IC*	Internal Communication NMS Unit	2	
-CFL-APU*	Automatic Line Protector Unit	1	
-CFL-8VLTU	8ch Digital Video Transmitter Unit	4	
-CFL-8VLRU	8ch Digital Video Receiver Unit	4	
-CFL-PSU	110/220VAC,200W Power Supply Unit	2	
) *	Option		

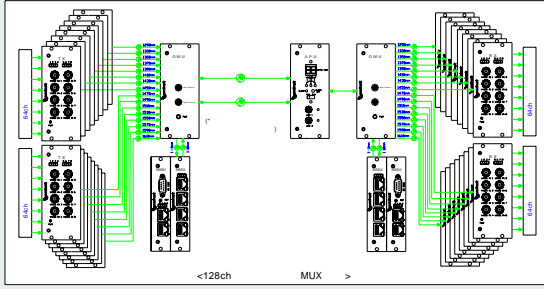
[3] 64ch



<	>		
-CFL-N319122	19" Rack Mount Chassis	2	
-CFL-OMU-R1	CWDM Optical Mux/Demux Unit	1	
-CFL-NMU-EC*	External Communication NMS Unit	1	
-CFL-NMU-IC*	Internal Communication NMS Unit	2	
-CFL-8VLTU	8ch Digital Video Transmitter Unit	4	
-CFL-PSU	110/220VAC,200W Power Supply Unit	2	
<	>		
-CFL-N319122	19" Rack Mount Chassis	2	
-CFL-OMU-R1	CWDM Optical Mux/Demux Unit	1	
-CFL-NMU-EC*	External Communication NMS Unit	1	
-CFL-NMU-IC*	Internal Communication NMS Unit	2	
-CFL-APU*	Automatic Line Protector Unit	1	
-CFL-8VLRU	8ch Digital Video Receiver Unit	4	
-CFL-PSU	110/220VAC,200W Power Supply Unit	2	
) *	Option		

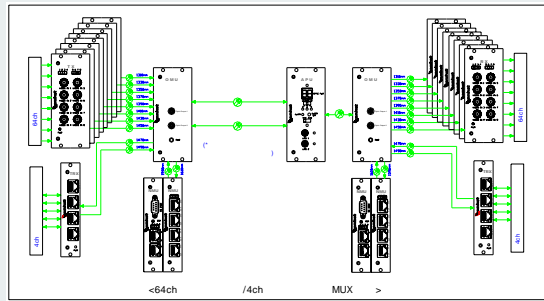
Cominet Fiber Optic Link

[4] 128ch



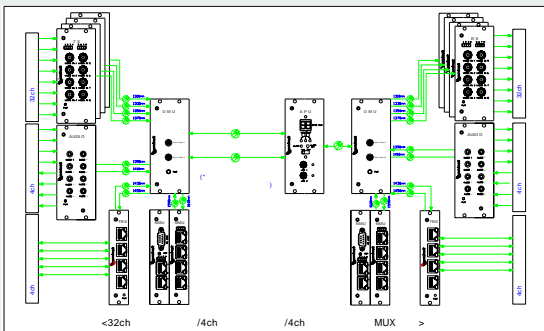
<	>		
-CFL-N319122	19" Rack Mount Chassis	4	
-CFL-OMU-R1	CWDM Optical Mux/Demux Unit	1	
-CFL-NMU-EC*	External Communication NMS Unit	1	
-CFL-NMU-IC*	Internal Communication NMS Unit	4	
-CFL-8VLTU	8ch Digital Video Transmitter Unit	16	
-CFL-PSU	110/220VAC,200W Power Supply Unit	4	
<	>		
-CFL-N319122	19" Rack Mount Chassis	4	
-CFL-OMU-R1	CWDM Optical Mux/Demux Unit	1	
-CFL-NMU-EC*	External Communication NMS Unit	1	
-CFL-NMU-IC*	Internal Communication NMS Unit	4	
-CFL-APU*	Automatic Line Protector Unit	1	
-CFL-8VLRU	8ch Digital Video Receiver Unit	16	
-CFL-PSU	110/220VAC,200W Power Supply Unit	4	
)	*		<i>Option</i>

[5] 64ch / 4ch



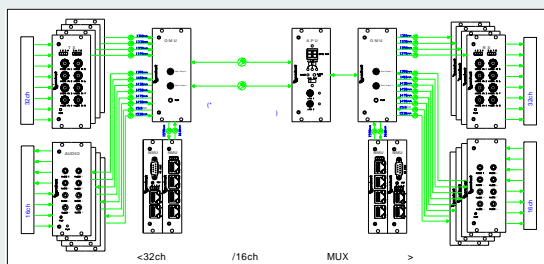
<	>		
-CFL-N319122	19" Rack Mount Chassis	2	
-CFL-OMU-R1	CWDM Optical Mux/Demux Unit	1	
-CFL-NMU-EC*	External Communication NMS Unit	1	
-CFL-NMU-IC*	Internal Communication NMS Unit	2	
-CFL-8VLTU	8ch Digital Video Transmitter Unit	8	
-CFL-4DLU-B	4ch Digital Data Transceiver Unit	1	
-CFL-PSU	110/220VAC,200W Power Supply Unit	2	
<	>		
-CFL-N319122	19" Rack Mount Chassis	2	
-CFL-OMU-R1	CWDM Optical Mux/Demux Unit	1	
-CFL-NMU-EC*	External Communication NMS Unit	1	
-CFL-NMU-IC*	Internal Communication NMS Unit	2	
-CFL-APU*	Automatic Line Protector Unit	1	
-CFL-8VLRU	8ch Digital Video Receiver Unit	8	
-CFL-4DLU-B	4ch Digital Data Transceiver Unit	1	
-CFL-PSU	110/220VAC,200W Power Supply Unit	2	
)	*		<i>Option</i>

[6] 32ch / 4ch / 4ch



<	>		
-CFL-N319122	19" Rack Mount Chassis	2	
-CFL-OMU-R1	CWDM Optical Mux/Demux Unit	1	
-CFL-NMU-EC*	External Communication NMS Unit	1	
-CFL-NMU-IC*	Internal Communication NMS Unit	2	
-CFL-8VLTU	8ch Digital Video Transmitter Unit	4	
-CFL-4ALU	4ch Digital Audio Transceiver Unit	1	
-CFL-4DLU	4ch Digital Data Transceiver Unit	1	
-CFL-PSU	110/220VAC,200W Power Supply Unit	2	
<	>		
-CFL-N319122	19" Rack Mount Chassis	2	
-CFL-OMU-R1	CWDM Optical Mux/Demux Unit	1	
-CFL-NMU-EC*	External Communication NMS Unit	1	
-CFL-NMU-IC*	Internal Communication NMS Unit	2	
-CFL-APU*	Automatic Line Protector Unit	1	
-CFL-8VLRU	8ch Digital Video Receiver Unit	4	
-CFL-4ALU-B	4ch Digital Audio Transceiver Unit	1	
-CFL-4DLU-B	4ch Digital Data Transceiver Unit	1	
-CFL-PSU	110/220VAC,200W Power Supply Unit	2	
)	*		<i>Option</i>

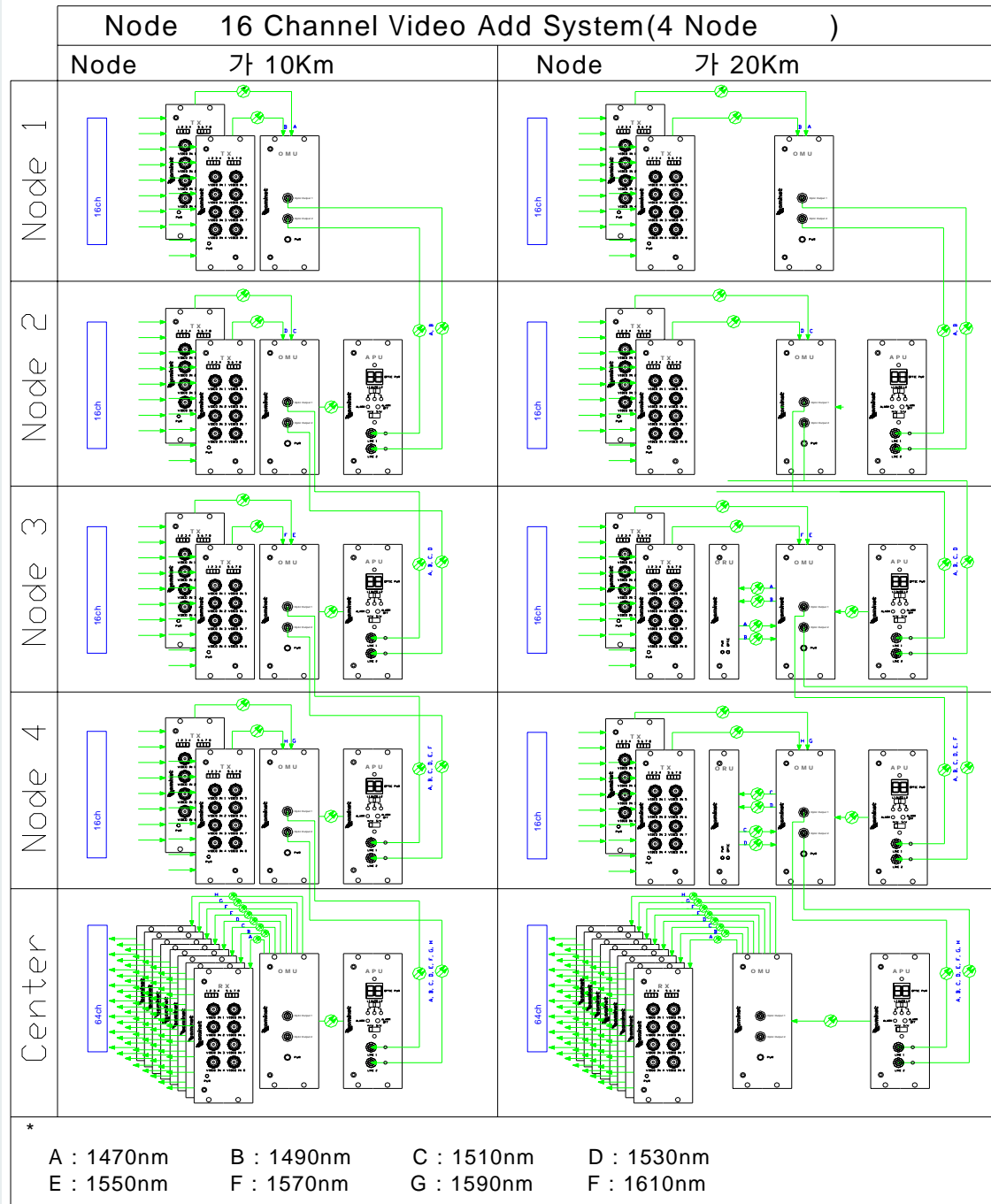
[7] 32ch / 16ch



<	>		
-CFL-N319122	19" Rack Mount Chassis	2	
-CFL-OMU-R1	CWDM Optical Mux/Demux Unit	1	
-CFL-NMU-EC*	External Communication NMS Unit	1	
-CFL-NMU-IC*	Internal Communication NMS Unit	2	
-CFL-8VLTU	8ch Digital Video Transmitter Unit	4	
-CFL-4ALU-B	4ch Digital Audio Transceiver Unit	4	
-CFL-PSU	110/220VAC,200W Power Supply Unit	2	
<	>		
-CFL-N319122	19" Rack Mount Chassis	2	
-CFL-OMU-R1	CWDM Optical Mux/Demux Unit	1	
-CFL-NMU-EC*	External Communication NMS Unit	1	
-CFL-NMU-IC*	Internal Communication NMS Unit	2	
-CFL-APU*	Automatic Line Protector Unit	1	
-CFL-8VLRU	8ch Digital Video Receiver Unit	4	
-CFL-4ALU-B	4ch Digital Audio Transceiver Unit	4	
-CFL-PSU	110/220VAC,200W Power Supply Unit	2	
)	*		<i>Option</i>







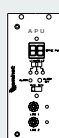
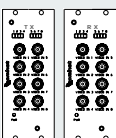
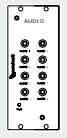
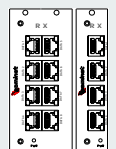
Cominet Fiber Optic Link

[8] Linear 4 Node



Cominet Fiber Optic Link

➤ Unit

Model	Configuration	Function	Description
CFL-N319122		19" Rack Mount Chassis for Line Card Unit	19" Rack , Mux Card Unit 3RU 16 Slot 1 Slot NMS Card 가 , 2-12 Slot Slot Line Card OMU APU , 13-16 Slot Slot 1 Power(2 slot) , Redundancy Power Option Slot Unit 가 Hot-Swappable
CFL-OMU-xR1		CWDM Optical Mux/Demux Unit - 19" Rack Mount Type	1RU 19" Rack , CWDM(Coarse Wave Division Multiplexing) CFL - N319122 Video Link, Data Link, Audio Link Patch Cord Unit 1:18
CFL-OMU-xL3		CWDM Optical Mux/Demux Unit - 3RU Line Card Type	3RU Line Card Type CFL - N319122 Chassis CWDM(Coarse Wave Division Multiplexing) Video Link, Data Link, Audio Link Unit Patch Cord 1:18 2 Slot 3 Slot
CFL-ORU		Optical Repeater Unit	3RU Line Card Type CFL - N319122 Chassis Linear Node Unit , CWDM(Coarse Wave Division Multiplexing) CFL - OMU Patch Cord 1:18
CFL-NMU-IC		Internal Communication NMS Unit	3RU Line Card Type CFL - N319122 Chassis 1 Slot 2-16 Slot Unit NMS PC Unit Chassis PC Unit NMS CFL - NMU - EC
CFL-NMU-EC		External Communication NMS Unit	3RU Line Card Type CFL - N319122 Chassis 2-12 Slot Node CFL - NMU - IC NMS Center
CFL-APU		Automatic Line Protector Unit	3RU Line Card Type 2 Slot CFL - N319122 Chassis 2-12 Slot Node 2 Core CFL - OMU 10m/sec 가 Buzzer NMS GUI Segment Power Meter Power
CFL-8VLU-T(R)		8ch Digital Video Transmitter(Receiver) Unit	3RU Line Card Type CFL - N319122 Chassis 2-12 Slot 2 Slot Transmitter Unit 1 8 Unit Digital 8 , Receiver Unit BNC LED
CFL-4ALU-B CFL-8ALU-T(R)		4ch Digital Audio Transceiver Unit 8ch Digital Audio Transmitter(Receiver) Unit	3RU Line Card Type CFL - N319122 Chassis 2-12 Slot 2 Slot Unit 4 Slot 4 8 () Audio AV Jack Amp
CFL-8DLU-B CFL-4DLU-B		8ch Digital Data Transceiver Unit 4ch Digital Data Transceiver Unit	3RU Line Card Type CFL - N319122 Chassis 2-12 Slot , 8ch Unit 2 Slot , 4ch Unit 1 Slot Data Interface RS-232, RS-422, RS-485 Half/Full Duplex Mode , Data RJ-45 Jack

Cominet Fiber Optic Link

Model Name	CFL-MUX128A		
Optical Specifications			
Fiber Type	Single-Mode		
Number of Fiber	1 or 2 fibers (Working Line : 1Core, Protection Line : 1Core)		
Wavelength(nm)	CWDM(1:18)		
Power Budget(1550nm)	22dB	22dB	22dB
Max Distance(km)	70Km		
Connector	FC (ST – Option)		
Video Input/Output Signal Specifications			
Number of Channels	Max. 128		
Video Input/Output Signal	1V _{p-p} (75) Composite (NTSC, PAL, SECAM, RS-170, CCIR)		
Bandwidth	5Hz ~ 10MHz		
Differential Gain	< 1%		
Differential Phase	< 1°		
Signal-Noise	> 67dB		
Connector	BNC		
Audio Input/Output Signal Specifications			
Number of Channels	Max. 128		
Audio Input/Output Signal	2.2V _{p-p} (600)		
Bandwidth	20Hz ~ 20KHz		
Signal-Noise Ratio	> 65dB		
Connector	AV Jack (Terminal Block – Option)		
Data(RS-232/RS-422/RS-485) Input/Output Signal Specifications			
Number of Channels	Max.128		
Operating Mode	Half/Full Duplex		
Data Rate	200Kbps		
Bit Error Rate	< 1/10 ⁹		
Connector	D-Sub 9pin Male		
Environment Specifications			
Operating Temperature	-20°C ~ 65°C		
Storage Temperature	-40°C ~ 80°C		
Humidity	0% ~ 90%(Non-Condensing)		
Power & Physical Specifications			
Power	100 / 220V AC, 200W with redundancy function		
External Shape	Rack mountable chassis		
Dimension	19" in 3U height		



: 150 A 606-2(463-070)
 Tel)031-707-6460, Fax)031-707-6463
<http://www.cominet.co.kr>
 E-mail : info@cominet.co.kr

